

TM RACING
USES AND
RACOMMENDS



TM Racing SpA - Via Fano, 6
61122 Pesaro - ITALY
Phone: +39 0721 25113



CATALOGO RICAMBI - PARTS BOOK
63027 - STANDARD | 63027.1 - SPECIAL
63030.1 - TITAN | 63031.1 - BLACK

125cc

KZ-R1

Homologation

041-EZ-75



KZR1
125CC KZ-R1

SOMMARIO
TABLE OF CONTENTS

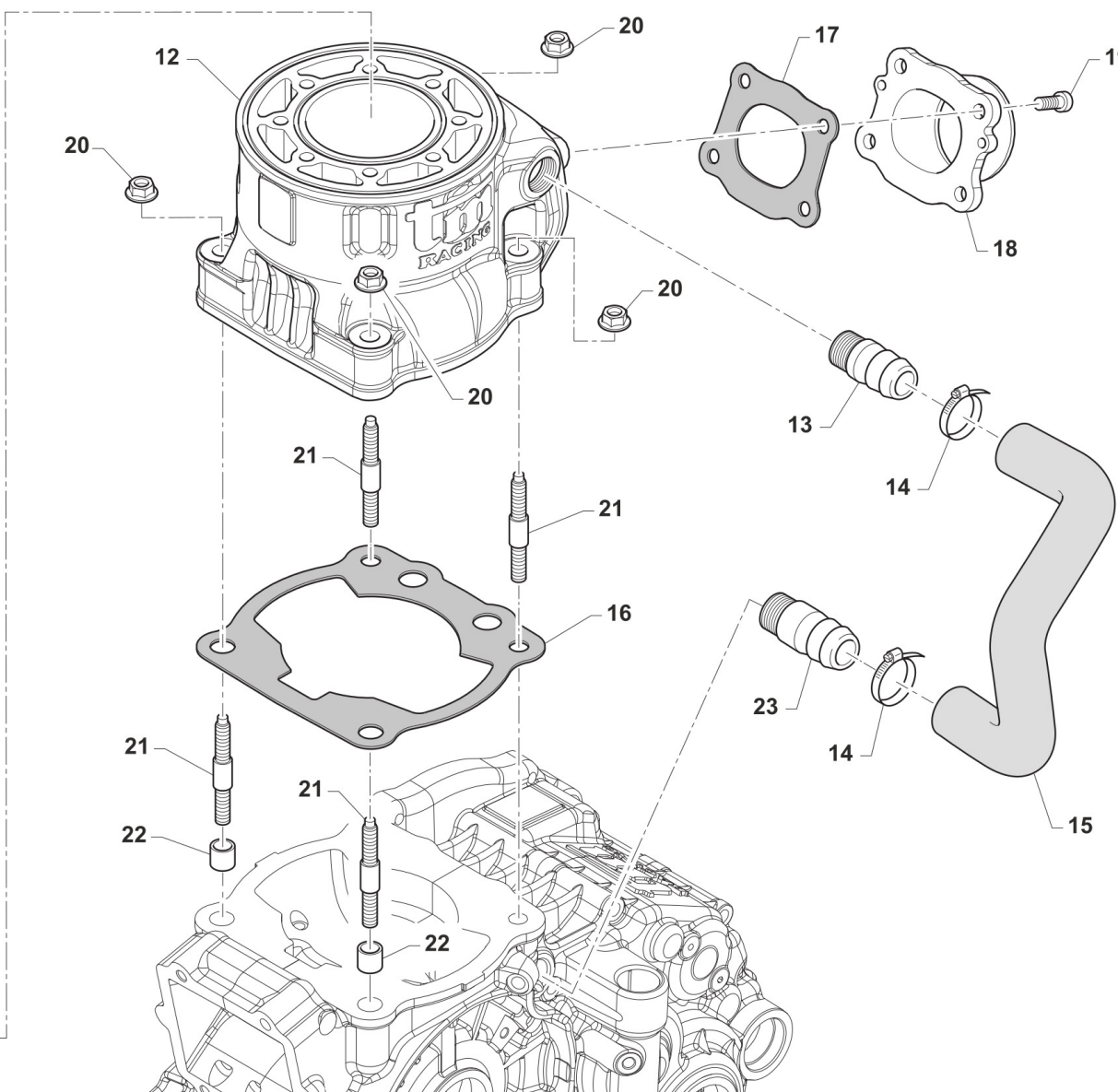
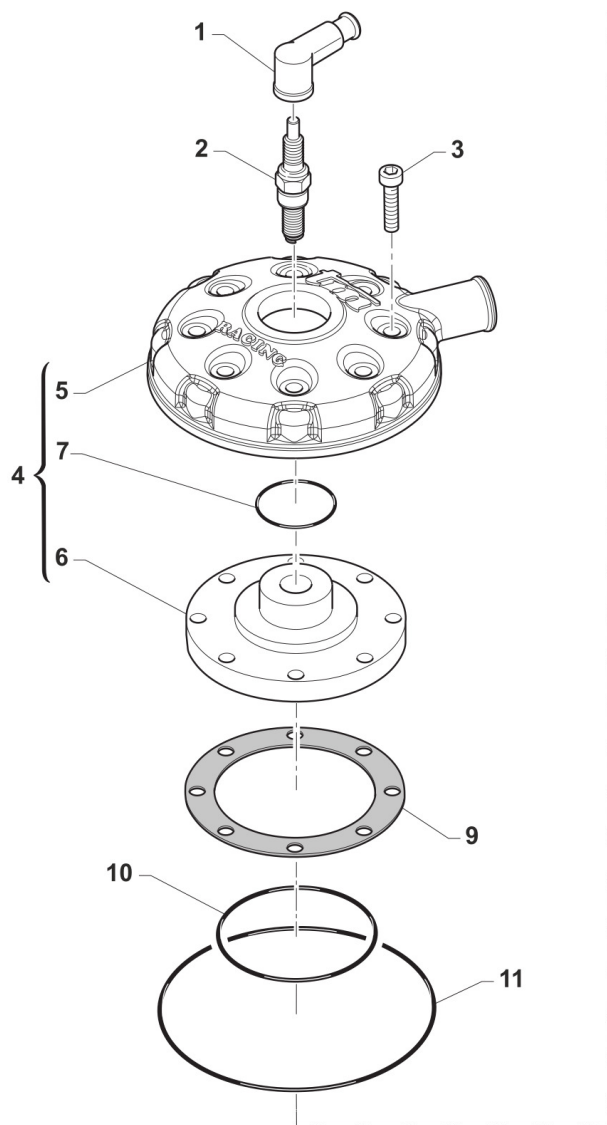
CILINDRO E TESTA - CYLINDER AND HEAD.....	4
ALBERO MOTORE E PISTONE - CRANKSHAFT AND PISTON.....	7
ACCENSIONE - IGNITION.....	10
PACCO LAMELLARE - REEDS BOX.....	12
FRIZIONE - CLUTCH.....	14
COMANDO CAMBIO - GEARSHIFT MECHANISM.....	17
CAMBIO - GEAR BOX.....	20
CUSCINETTI CAMBIO E PIGNONE - BEARINGS AND SPROCKET.....	22
SCARICO - EXHAUST SYSTEM.....	24



KZR1
125CC KZ-R1

CILINDRO E TESTA CYLINDER AND HEAD

1



TM0158



**KZR1
125CC KZ-R1**

**CILINDRO E TESTA
CYLINDER AND HEAD**

1

Pos.	Codice	Q.tà	Note	Descrizione	Description
1	21014	1		CUPOLOTTO CANDELA SILICONE TM CPL MOLLA	CAP, SPARK PLUG
2	06024	1		CANDELA BRISK L08S SILVER R.	SPARK PLUG BRISK L08S SILVER
3	49487	8		VITE TCEI 6X35 UNI 5931	BOLT TCEI 6X35
4	02558	1		TESTA KZ10-C/KZ-R1 CPL C2 3.3	HEAD KZ10C/KZ-R1 C2 3.3 ASSY
5	02558.1	1		COPERCHIO TESTA KZ10C/KZ-R1	COVER, HEAD KZ10C/KZ-R1
5	02558.3	1	BLACK	COPERCHIO TESTA KZ10C/KZ-R1 BLACK	COVER, HEAD KZ10C/KZ-R1 BLACK
5	02558.5	1	TITAN	COPERCHIO TESTA KZ10C/KZ-R1 TITAN	COVER, HEAD KZ10C/KZ-R1 TITAN
6	02558.10	1		CAMERA COMBUSTIONE KZ10C/KZ-R1 C2 3.6	COMBUSTION CHAMBER KZ10C/R1 C2 3.6
6	02558.2	1		CAMERA COMBUSTIONE KZ10C/KZ-R1 C2 3.3	COMBUSTION CHAMBER KZ10C/R1 C2 3.3
6	02558.8	1		CAMERA COMBUSTIONE KZ10C/KZ-R1 C2 3.4	COMBUSTION CHAMBER KZ10C/R1 C2 3.4
6	02558.9	1		CAMERA COMBUSTIONE KZ10C/KZ-R1 C2 3.5	COMBUSTION CHAMBER KZ10C/R1 C2 3.5
7	12070	1		O RING COP.TEST/CAM.COMB.KZ FKM-75	O RING HEAD COVER/COMB.C.KZ10C
9	05070.03	1		GUARNIZIONE TESTA KZ10-C 0,03	GASKET, HEAD KZ10-C 0,03
9	05070.05	1		GUARNIZIONE TESTA KZ10-C 0,05	GASKET, HEAD KZ10-C 0,05
9	05070.10	1		GUARNIZIONE TESTA KZ10-C 0,10	GASKET, HEAD KZ10-C 0,10
9	05070.20	1		GUARNIZIONE TESTA KZ10-C 0,20	GASKET, HEAD KZ10-C 0,20
10	12003	1		O RING TESTA 125 90/06KVK8-910 NBR	O-RING, HEAD 125 90/06 KV8910
11	12014	1		O RING TESTA MF1/MF2 KZ10	O-RING, HEAD MF1/MF2 KZ10
12	01570	1		CILINDRO KART KZ R1 125cc	CYLINDER KART KZ R1 125cc
12	01571	1		CILINDRO KART KZ R1 125cc (PREP.)	CYLINDER KART KZ R1 125cc (TUNED)
13	28017	1		RACCORDO ACQUA D.18	WATER JOINT D. 18 - ALUMINUM
14	51070	2		FASCETTA 17/29 VELOBLOC 3B	CLAMP 17/29 VELOVLOC 3B
15	21025	1		MANICOTTO H2O CAR/CIL K8/9/Z10	WATER HOSE, CYL/CASE K8/K9/K9B
16	05053.05	1		GUARN. B/CIL. KZ10B/C 0,05	GASKET, CYL KZ10B 0,05
16	05053.10	1		GUARN. B/CIL. KZ10B/C 0,10	GASKET, CYL KZ10B 0,10
16	05053.15	1		GUARN. B/CIL. KZ10B/C 0,15	GASKET, CYL KZ10B 0,15
16	05053.20	1		GUARN. B/CIL. KZ10B/C 0,20	GASKET, CYL KZ10B 0,20
16	05053.30	1		GUARN. B/CIL. KZ10B/C 0,30	GASKET, CYL KZ10B 0,30



KZR1
125CC KZ-R1

CILINDRO E TESTA
CYLINDER AND HEAD

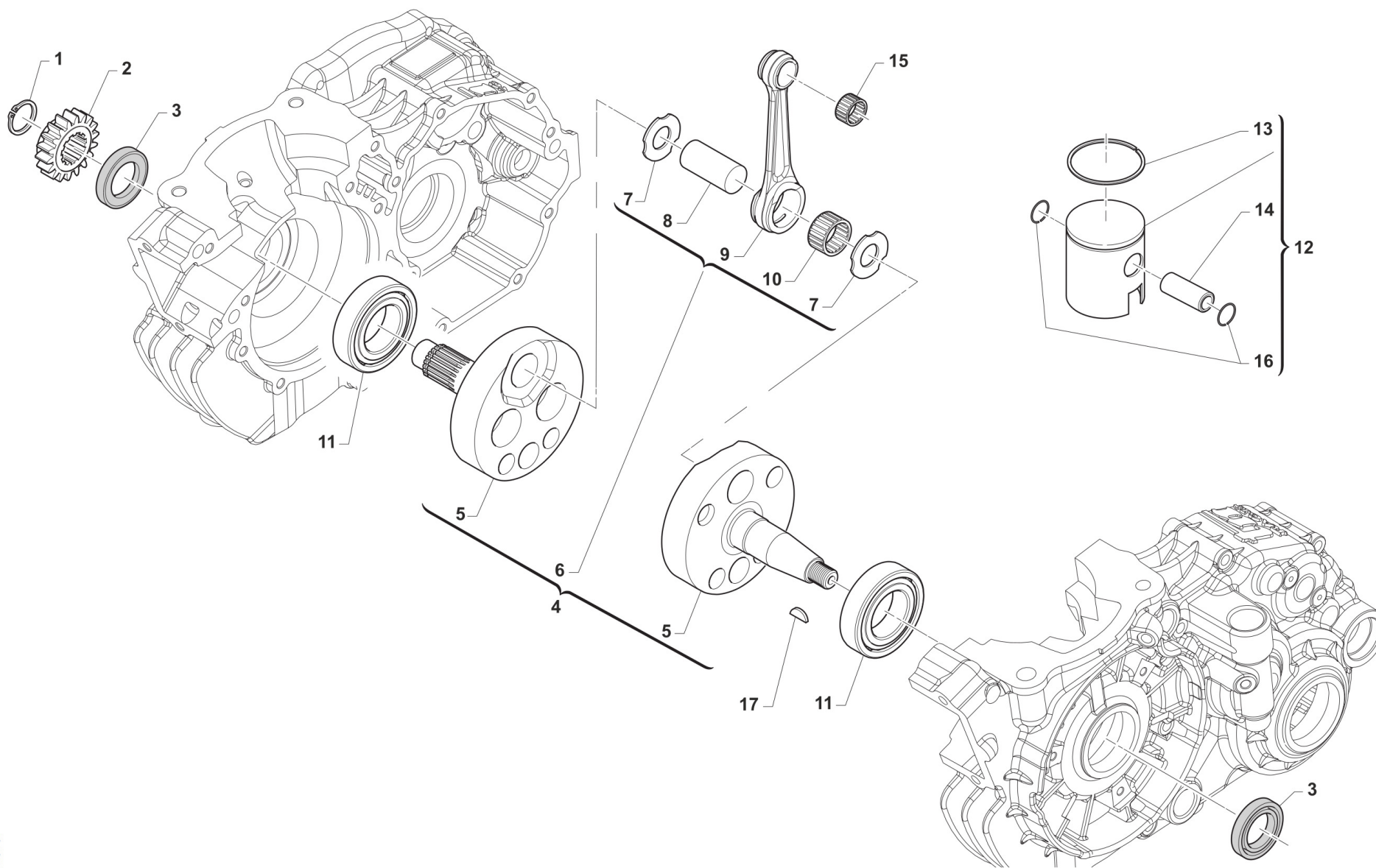
1

Pos.	Codice	Q.tà	Note	Descrizione	Description
16	05053.40	1		GUARN. B/CIL. KZ10B/C 0,40	GASKET, CYL KZ10B 0,40
16	05053.50	1		GUARN. B/CIL. KZ10B/C 0,50	GASKET, CYL KZ10B 0,50
17	05027	1		GUARN. COLL.SCAR. MF1/2 KZ10	GASKET, EX MANIFOLD TAG
18	13071+D2	1		COLLETTORE SCA. KZ10/B D2 30,5	EXHAUST MANIFOLD KZ10/B D2
18	13071+D2B	1		COLLETTORE SCA. KZ10/B D2 28	EXHAUST MANIFOLD KZ10/B D2 285
18	13071+D2C	1		COLLETTORE SCA. KZ10/B D2 29	EXHAUST MANIFOLD KZ10/B D2 29
19	49484	4		VITE TCEI 6X20	BOLT TCEI 6X20
20	49640	4		DADO M 8 FLANGIATO CHIAVE 12	NUT 8mm, FLANGE
21	49037	4		PRIGIONIERO CIL.61 KZ10	STUD CYL.61mm KZ10
22	26143	2		GRANO CENTRAGGIO MOT. 10.5X14	DOWEL PIN 10,5 X 14
23	28018	1		RACCORDO ACQUA KV K9B K9C INF.	WATER JOINT KV K9B K9C LOWER



KZR1
125CC KZ-R1

ALBERO MOTORE E PISTONE CRANKSHAFT AND PISTON



TM0157



KZR1
125CC KZ-R1

ALBERO MOTORE E PISTONE
CRANKSHAFT AND PISTON

2

Pos.	Codice	Q.tà	Note	Descrizione	Description
1	49216	1		SEEGER E20 PIGN.-CAMBIO-COPPIA	CIRCLIP D.20 - EXTERNAL
2	40318	1		PIGNONE C.PRIMAR.Z18 KART KZ-R1	PRIMARY DRIVE GEAR 18T KZ-R1
3	04000	2		PARAOLIO 20x35x7 PTFE BANCO	OIL SEAL 20 x 35 x 7
4	18273	1		ALBERO MOTORE KZ R1 22 CPL	CRANKSHAFT ASSY KZ-R1 PIN 22mm
5	18274	1		COPPIA SEMIALBERI KZ-R1	CRANK LH+RH KZ-R1
6	18125	1		BIELLA KZ10-B 22 CPL ASSE F.6	ROD ASSY SP.KZ10-B 22mm H.6mm
6	18125.1	1		BIELLA KZ10-B 22 CPL ASSE F.7	CONROD ASSY KZ10 D.PIN22 HOLE7
6	18125.2	1		BIELLA KZ10-B 22 CPL ASSE F.5	CONROD ASSY KZ10-B 22 PIN H.5
6	18125.3	1		BIELLA KZ10-B 22 CPL ASSE PIEN	CONROD ASSY KZ10-B22 FULL PIN
7	18239	2		RONDELLA ARGENTATA D.22 X 1 v2	WASHER, SILVER ID 22 X 1
8	18091	1		ASSE ACCOP. 22 X 50.4 F.6	CRANKPIN 22X50,4 H.6mm
8	18091.2	1		ASSE ACCOP. 22 X 50.4 F.7	CRANK PIN 22 X 50.4 HOLE 7mm
8	18091.3	1		ASSE ACCOP. 22 X 50.4 PIENO	CRANKPIN 22 X 50,4 W/OUT HOLE
8	18091.4	1		ASSE ACCOP. 22 X 50.4 F.5	CRANKPIN 22 X 50,4 hole 5mm
9	18053.2	1		BIELLA ASSE 22 FORG. NUDA 109,8	CONROD D.22mm FORGED 109,8
10	17015	1		GABBIA ARGENTATA 222815	SILVER CAGE 22X28X15
11	03029	2		CUSCINETTO BC1-1442 B	BUSH, BC1-1442 B KZ10
12	10045.93	1		PISTONE 53.93 KZ10 CPL 4^LIGHT	PISTON 53.93 KZ10 ASSY 4^LIGHT
12	10045.94	1		PISTONE 53.94 KZ10 CPL 4^LIGHT	PISTON 53.94 KZ10 ASSY 4^LIGHT
12	10045.95	1		PISTONE 53.95 KZ10 CPL 4^LIGHT	PISTON 53.95 KZ10 ASSY 4^LIGHT
12	10045.96	1		PISTONE 53.96 KZ10 CPL 4^LIGHT	PISTON 53.96 KZ10 ASSY 4^LIGHT
12	10045.97	1		PISTONE 53.97 KZ10 CPL 4^LIGHT	PISTON 53.97 KZ10 ASSY 4^LIGHT
12	10045.98	1		PISTONE 53.98 KZ10 CPL 4^LIGHT	PISTON 53.98 KZ10 ASSY 4^LIGHT
12	10069.93	1		PISTONE 53.93 KZ CPL 4^ 0,8 LIGHT 4420	PISTON 53.93 KZ ASSY 4^ LIGHT 4420
12	10069.94	1		PISTONE 53.94 KZ CPL 4^ 0,8 LIGHT 4420	PISTON 53.94 KZ ASSY 4^ LIGHT 4420
12	10069.95	1		PISTONE 53.95 KZ CPL 4^ 0,8 LIGHT 4420	PISTON 53.95 KZ ASSY 4^ LIGHT 4420
12	10070.93	1		PISTONE 53.93 KZ CPL 4^ 4093	PISTON 53.93 KZ ASSY 4^ 4093
12	10070.94	1		PISTONE 53.94 KZ CPL 4^ 4093	PISTON 53.94 KZ ASSY 4^ 4093



KZR1
125CC KZ-R1

ALBERO MOTORE E PISTONE
CRANKSHAFT AND PISTON

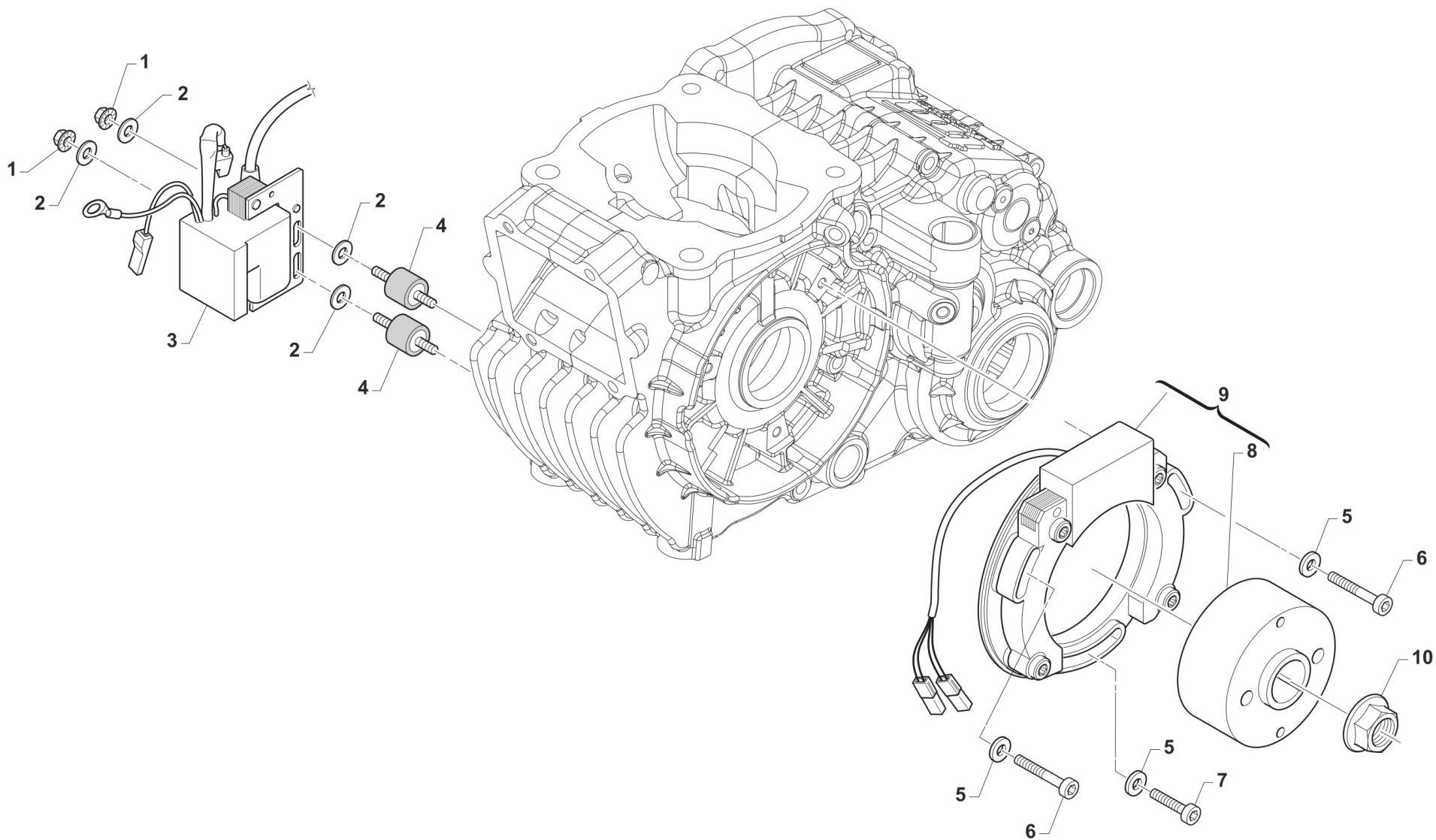
2

Pos.	Codice	Q.tà	Note	Descrizione	Description
12	10070.95	1		PISTONE 53.95 KZ CPL 4^ 4093	PISTON 53.95 KZ ASSY 4^ 4093
12	10070.96	1		PISTONE 53.96 KZ CPL 4^ 4093	PISTON 53.96 KZ ASSY 4^ 4093
12	10070.97	1		PISTONE 53.97 KZ CPL 4^ 4093	PISTON 53.97 KZ ASSY 4^ 4093
12	10070.98	1		PISTONE 53.98 KZ CPL 4^ 4093	PISTON 53.98 KZ ASSY 4^ 4093
12	10074.93	1		PISTONE 53,93 KZ 4215 F0.8 CPL	PISTON 53,93 KZ R.0,8 ASSY4215
12	10074.94	1		PISTONE 53,94 KZ 4215 F0.8 CPL	PISTON 53,94 KZ R.0,8 ASSY4215
12	10074.95	1		PISTONE 53,95 KZ 4215 F0.8 CPL	PISTON 53,95 KZ R.0,8 ASSY4215
12	10074.96	1		PISTONE 53,96 KZ 4215 F0.8 CPL	PISTON 53,96 KZ R.0,8 ASSY4215
13	11072	1	x PISTONI 10070.XX E 10045.XX	SEGMENTO D. 54 X 1 RIKEN/NISMO	PISTON RING 54X1 NISMO
13	11078	1	x PISTONI 10074.XX E 10069.XX	SEGMENTO D. 54 X 0,8 RIKEN/NISMO	PISTON RING D.54 X 0,8 Riken
14	09000	1		SPINOTTO PISTONE VERTEX 125	PISTON PIN VERTEX 125
15	19056	1		GABBIA SPINOTTO 125 CC SILVER	TOP END NEEDLE CAGE 125 SILVER
16	09004	2		ANELLINO FERMA SPINOTTO VERTEX	CLIP, K8/K9 VERTEX PISTON PIN
17	49010	1		CHIAVETTA VOLANO 13x5x3	WOODRUFF KEY



KZR1
125CC KZ-R1

ACCENSIONE
IGNITION



TM0160



KZR1
125CC KZ-R1

ACCENSIONE
IGNITION

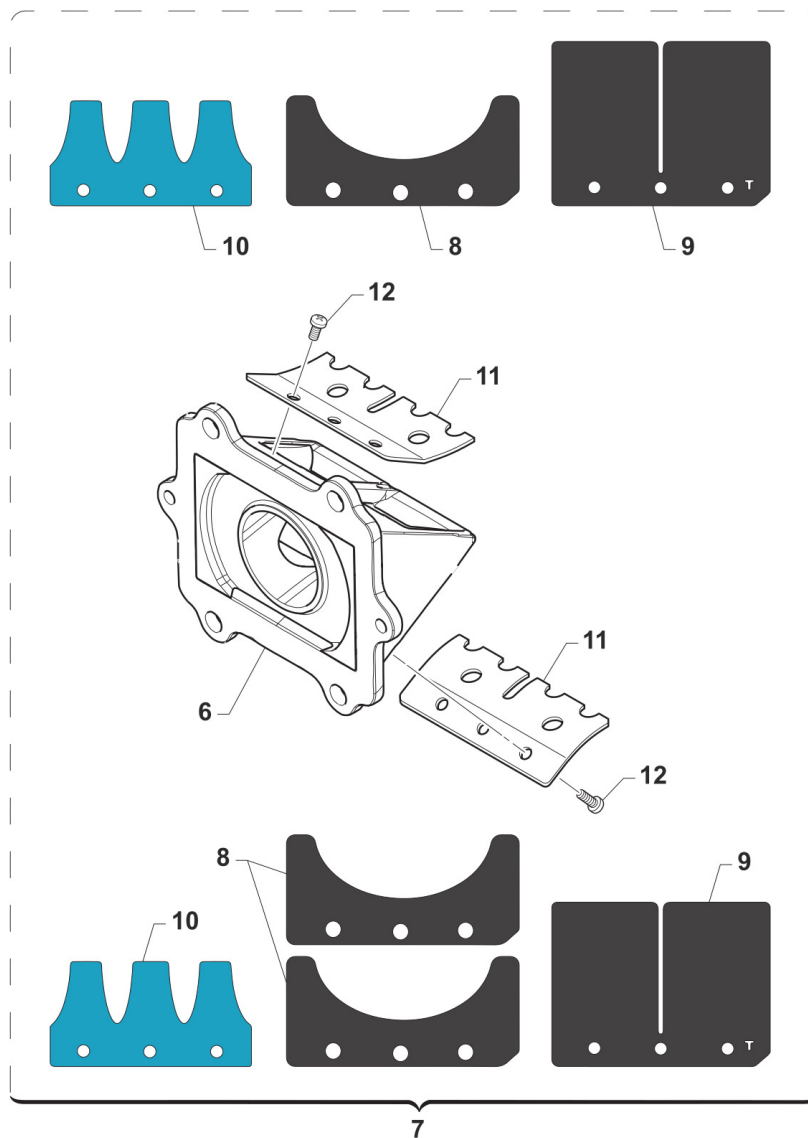
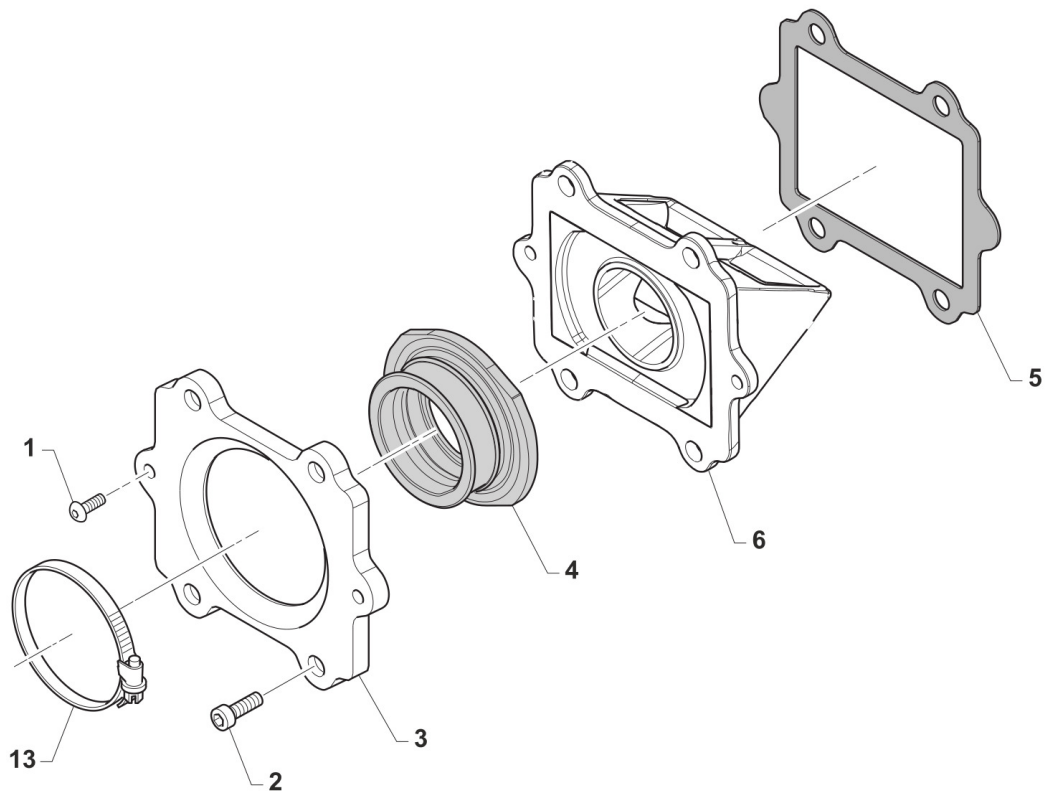
3

Pos.	Codice	Q.tà	Note	Descrizione	Description
1	49637	1		DADO M 6 BASSO AUTOBLOCCANTE	NUT, M6 LOW SELF-LOCKING
2	21003	2		SILENT BLOCK M 6 20x20 (K8/K9)	SILENT BLOCK M6 20 X 20
2	49603	4		RONDELLA 6,4 X 12 X 1,5	WASHER 6x12
3	15156	1		BOBINA ACCENSIONE KART 458-115 PVL	COIL KART, PVL
5	48007	3		RONDELLA ACCENSIONE VITE 5	WASHER IGNITION D. 5
6	49479	2		VITE TCEI 5X40	BOLT TCEI 5X40
7	49478	1		VITE TCEI 5 X 30	BOLT TCEI 5X30
8	15155.1	1		ROTORE ACCEN. KART 500-0945 A PVL	ROTOR IGNITION KART KZ PVL
9	15155	1		ACCENSIONE ELETTRON.PVL KART	IGNITION KART, PVL
10	49056	1		DADO ACCENS 100/TAG/KZ 125MX/E	NUT, IGNITION 100cc



KZR1
125CC KZ-R1

PACCO LAMELLARE
REEDS BOX



TM0161

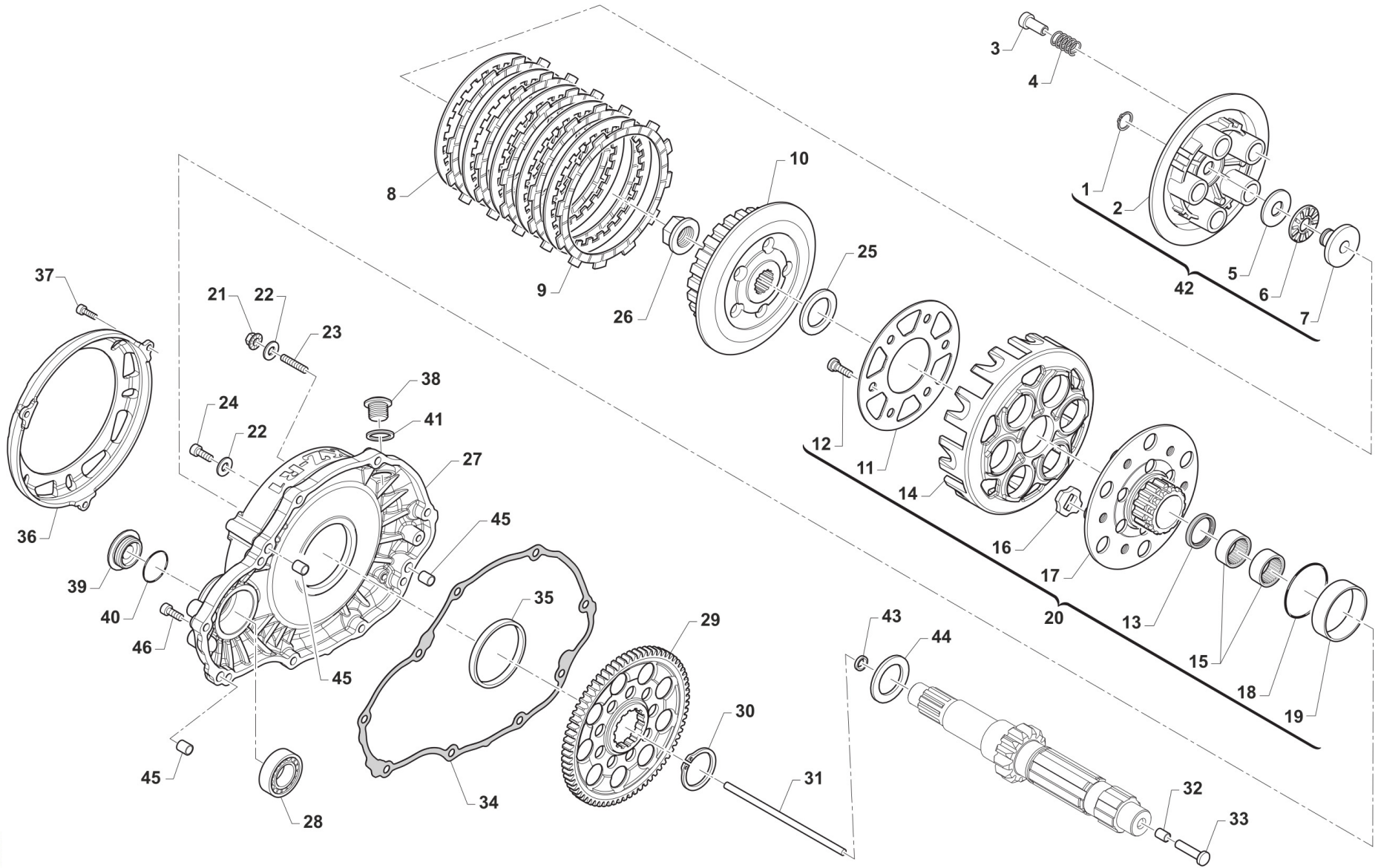


**KZR1
125CC KZ-R1**

**PACCO LAMELLARE
REEDS BOX**

4

Pos.	Codice	Q.tà	Note	Descrizione	Description
1	49448	2		VITE 10.9 TBCEI 5X10	BOLT TBCEI 5X10 10.9
2	49485	4		VITE TCEI 6X25 UNI 5931	BOLT TCEI 6x25
3	13082.1	1		FLANGIA COLL.ASP SV 13052 KZ10	FLANGE, INTAKE MANIFOLD KZ10C/R1
3	13082.3	1	BLACK	FLANGIA COLL.ASP13052 KZ10C/KZ-R1 BLACK	FLANGE, INTAKE MANIFOLD KZ10C/R1 BLACK
3	13082.4	1	TITAN	FLANGIA COLL.ASP13052 KZ10C/KZ-R1 TITAN	FLANGE, INTAKE MANIFOLD KZ10C/R1 TITAN
4	13052	1		MANICOTTO COLL. ASP.KZ M09/12	MANIFOLD RUBBER, INTAKE K9C
5	05265	1		GUARN.PIAST.P/L.K5/7/9KZ10 2mm	GASKET, REEDS BOX K7/K8/K9/K9B
5	05265.1	1		GUARN. PIASTRA P/L.K5/7/9/10/R1 1MM	GASKET, PLATE R.VAL.K5/7/9 1MM
5	05265.2	1		GUARN. PIASTRA P/L.K7/9 0,5MM	GASKET, PLATE REEDS V.K7/9 0,5
6	20094	1		PACCO LAM NUDO + INSERTO KZ10C/KZ-R1	REEDS CAGE + INSERT KZ10C/KZ-R1
7	20085.1	1		PACCO LAMELLARE CPL INS+LAM KZ10C/KZ-R1	REEDS VALVE INSERT ALL KZ10-C
8	20049.1	3		BALESTRINO CARBONIO "U"	REED, STOPPER CARBON "U"
9	20062.2	2		LAMELLA MAGMALYTE 0,34 (TOP)	REED, MAGMALYTE 0,34 (TOP)
10	20062.7	2		BALESTRINO blue f.g. 0,27 14->	STOPPER REEDS BLUE 0,27 14->
11	20059	1		STOPPER LAMELLE SPEC K8/K9 CP	STOPPERS, METAL (COUPLE)
12	49330	6		VITE T.C. 3X 6 X PACCO LAMELL	SCREW 3 X 6 REEDS BOX
13	51007	1		FASCETTA 25/45 CARB. KZ 13052	CLAMP INLET RUBBER CARB. 25/45



TM0155



KZR1
125CC KZ-R1

FRIZIONE
CLUTCH

5

Pos.	Codice	Q.tà	Note	Descrizione	Description
1	49211	1		SEEGER E09 ANELLO PIATT.REG.	CIRCLIP D.8,4 - EXTERNAL
2	35016	1		PIATTO SPINGIDISCO KART 97\02	PLATE, CLUTCH PRESSURE 97/04
2	35016.1	1		PIATTO SPINGIDISCO KART BLACK	PLATE, CLUTCH PRESSURE BLACK
2	35016.2	1		PIATTO SPINGIDISCO KART TITAN	PLATE, CLUTCH PRESSURE, TITAN
3	49057	5		DADO FRIZIONE ERGAL KZ10	NUT, CLUTCH KZ10 ERGAL
4	16035	5		MOLLA FRIZIONE 80/125 M. 91/11	SPRING, CLUTCH 80/125 M. 91/11
5	19021	1		RONDELLA X GABBIA RULLI AS1024	WASHER, NEEDLE CAGE AS 1024
6	19020	1		GABBIA A RULLI RAD. AXK 1024	NEEDLE CAGE AXK 1024, RADIAL
7	26001	1		REGGISPINTA FRIZIONE	CLUTCH THRUST
8	35008	5		DISCO FRIZIONE ACC. 1,5 97/98	CLUTCH PLATE, STEEL 1,5mm
9	35017	5		DISCO FRIZ. GUARN. K8/9/B/C KZ	CLUTCH PLATE, FIBER K8/K9/K9B
10	25093	1		TAMBURELLO FRIZ.AL KZ10-B	CLUTCH CENTER KZ10 B
11	35026	1		DISCO BATTUTA GOMM. FRIZ.KZ10B	DISC STOP RUBBERS CLUTCH KZ10B
12	49727	6		VITE PARASTRAPPI K9 M7X1X12.5	SCREW, M7X1X12,5 K9 ENGINE
13	04008	1		PARAOLIO GR 20X26X4	OIL SEAL 20 x 26 x 4
14	25006	1		CAMPANA FRIZIONE KZ10-B	CLUTCH BASKET KZ10-B
15	19040	2		ASTUCCIO A RULLI HK 20/12	NEEDLE CAGE HK 20/12
16	21005	6		GOMMINO PARASTRAPPI FRIZIONE	RUBBER, CLUTCH BASKET
17	40387	1		MOZZO CP PRIM. K9/KZ FIL.ALLEG	HUB, PRIMARY GEAR K9/KZ
18	12036	1		OR COPPIA FRIZ.KV->K10 33X2,2	O-RING PRIMARY GEAR KV/K7/K10
19	26000	1		BOCCOLA RETTIFICATA FRIZ.KV/K3	BUSH (CLUTCH CENTER)
20	40376	1		MOZZO CP PRIM KZ10B/C CPL CAMP	HUB PR.GEAR BASK.CLUTCH KZ10BC
21	49637	1		DADO M 6 BASSO AUTOBLOCCANTE	NUT, M6 LOW SELF-LOCKING
22	49104	2		RONDELLA 6 x 10 x 1.5 ALLUMINIO	WASHER 6 x 10 x 1.5 ALUMINUM
23	49710	1		GRANO 6X30	GRUB SCREW 6 X 30
24	49480	1		VITE TCEI 6X10	BOLT TCEI 6X10
25	48002	1		SPESSORE COP.PRIM.30X18X3	SPACER 30x18x3
26	49064	1		DADO FL. TAMB. FRIZ. KART KZ CH20 M 14x1	NUT, CLUTCH HUB KZ-R1

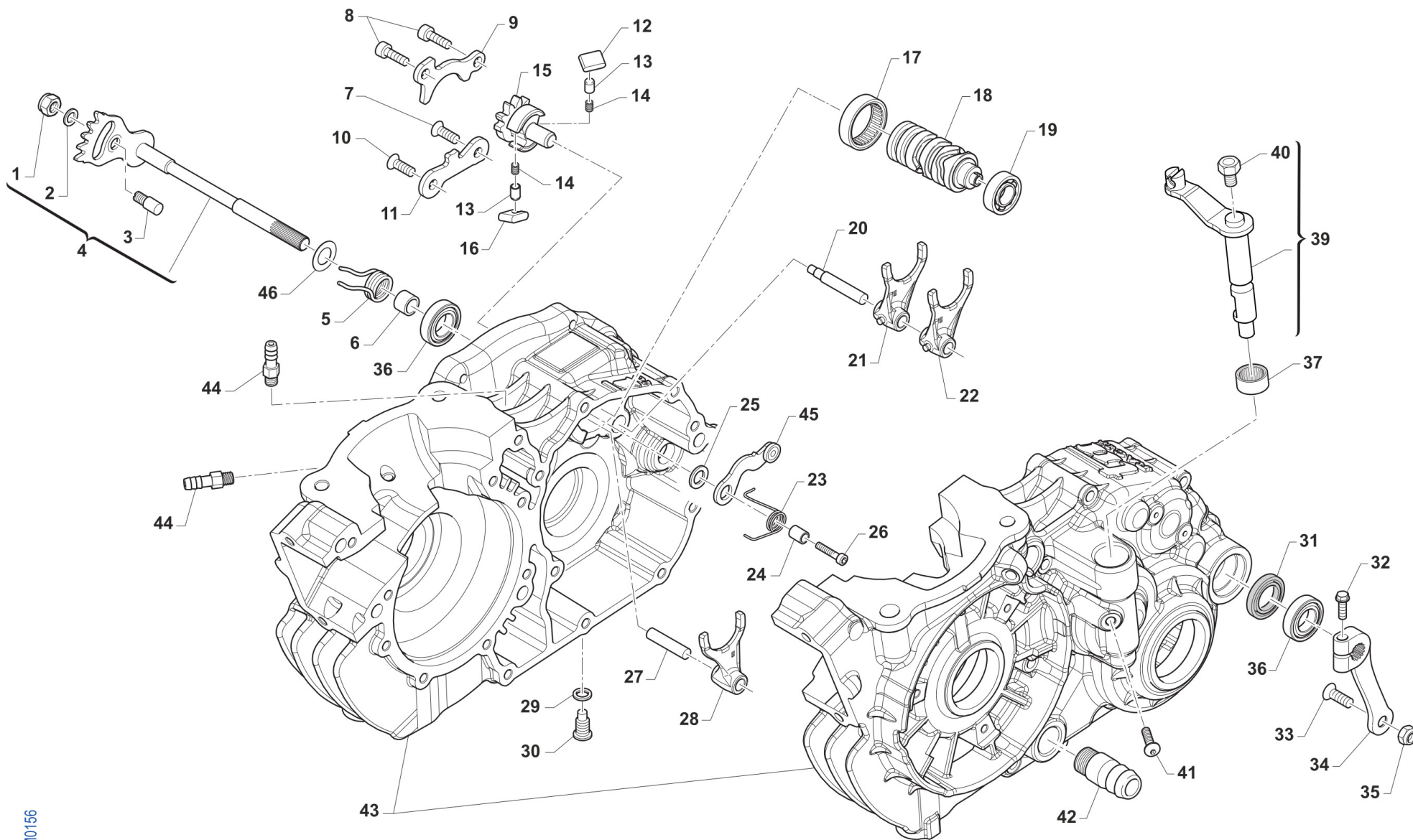


**KZR1
125CC KZ-R1**

**FRIZIONE
CLUTCH**

5

Pos.	Codice	Q.tà	Note	Descrizione	Description
27	30230	1		COPERCHIO FRIZIONE 125 KZ-R1	COVER, CLUTCH, KZ-R1
27	30230.1	1	BLACK	COPERCHIO FRIZIONE 125 KZ-R1 BLACK	COVER, CLUTCH, KZ-R1 BLACK
27	30230.2	1	TITAN	COPERCHIO FRIZIONE 125 KZ-R1 TITAN	COVER, CLUTCH, KZ-R1 TITAN
28	03019	1		CUSCINETTO BANCO 6202 C4 K9	BUSH, 6202 C4 K9
29	40392	1		COPPIA PRIMARIA Z=71 KART KZ R1	PRIMARY DRIVE 71T KZ-R1
30	49251	1		SEEGER MOZZO FRIZ. KART 35mm	CIRCLIP CLUTCH HUB KART 35mm
31	35052	1		ASTINA FRIZIONE KZ10-B/C R1 146,2	ROD, CLUTCH KZ10-B/C 146,2mm
32	19006	1		RULLINO ASTA FRIZIONE 5X8	PIN 5 X 8, CLUTCH ROD
33	35030	1		ASTINA FRIZIONE A FUNGO	CLUTCH ROD WITH BUTTON
34	05116	1		GUARN. COP. TRASM. KZ R1 OM19	GASKET, TRANSMISS. COVER KZ R1 OM19
35	04007	1		PARAOLIO COP.FRIZIONE 40x52x5	OIL SEAL 40 x 52 x 5
35	04007.1	1		PARAOLIO 40 52 05 VC7 TEFLON	OIL SEAL 40 x 52 x 05 TEFLON
35	04007.2	1		PARAOLIO 40 52 05 ANEL. METAL.	OIL SEAL 40X52X05 STEEL RING
36	30162	1		COPERCHIETTO PROT.FRIZ.KZ10C	COVER,CLUTCH PROTECTION KZ10-C
36	30162.2	1		COPERCHIETTO PROT.FRIZ. KZ10-C GR	COVER,CLUTCH PROTEC.KZ10C GREY
36	30162.3	1		COPERCHIETTO PROT.FRIZ.KZ10-C FL	COVER,CLUTCH PROTEC.KZ10-C YELLOW FLUO
36	30162.4	1		COPERCHIETTO PROT.FRIZ.KZ10-C BLU	COVER, CLUTCH PROTECTION KZ10-C BLUE
36	30162.5	1		COPERCHIETTO PROT.FRZ.KZ10C ANTRACITE	COVER, CLUTCH PROTECTION KZ10C/KZ-R1 ANTHRACITE
37	49890	3		VITE TBCE 5X14	SCREW TBCE 5X14
38	49297	1		TAPPO CARICO OLIO KZ R1	OIL FILL PLUG KZ-R1
39	49296	1		TAPPO COPERCHIO TRASMISSIONE KZ R1	CAP, PRIMARY GEAR COVER KZ-R1
40	12019	1		O RING PIGNONE CATENA	O-RING, DRIVE GEAR 2075
41	49103	1		RONDELLA 14X20X1,5 ALLUMINIO	WASHER, 14 X 20 X 1.5 ALUMINUM
42	35025	1		PIATTO SPING.FRIZ 125/KART CPL	PLATE, CLUTCH PRESSURE ASSY
43	04009	1		PARAOLIO 5x9x2	OIL SEAL 5 x 9 x 2
44	48003	1		SPESSORE COP.PRIM.30X20X2	SPACER 30X20X2 PRIMARY GEAR
45	26091	3		RULLO CENTRAGGIO MOTORE 8X12	CRANKCASE PIN 8X12
46	49485	9		VITE TCEI 6X25 UNI 5931	BOLT TCEI 6x25



TM0156



**KZR1
125CC KZ-R1**

**COMANDO CAMBIO
GEARSHIFT MECHANISM**

6

Pos.	Codice	Q.tà	Note	Descrizione	Description
1	49635	1		DADO M 6 BASSO	NUT M 6
2	49603	1		RONDELLA 6,4 X 12 X 1,5	WASHER 6x12
3	26053	1		BATTUTA ECCENTRICA K9	ADJUSTER SELECTOR SHAFT KZ ENG
4	28107	1		ALBERO COMANDO ING.PORT.CRICC.KZ R1CPL	SELECTOR, GEARS KZ-R1
5	16069	1		MOLLA RITORNO LEVA CAMBIO KZ-R1 OM19 filo 2.9	SPRING, GEAR LEVER KZR1 2,9 mm
6	26171	1		DISTANZIALE MOLLA LEVA CAMBIO KZ R1 OM19	BUSH, SPRING GEAR LEVER KZR1
7	49432U	1		VITE TSEI 6X10 UMB.	BOLT TSEI 6X10 UMB BLACK
8	49482	2		VITE TCEI 6X14	BOLT TCEI 6X14
9	26169	1		PIASTRINO RIENTRO CRICC.KZ R1 OM19	PLATE, RATCHET KZR1
10	49404U	1		VITE TSEI 6X16 UMB	BOLT TSEI 6X16 UMBR.
11	26165	1		PIASTRINO FINE CORSA KART'18	PLATE
12	26061	1		CRICCHETTO CAMBIO INFERIORE	RATCHET DOWN, GEAR
13	26062	2		PUNTALE PER CRICCHETTO CAMBIO	PIN, RATCHET GEAR
14	16070	2		MOLLA PER PUNTALE KZ-R1	SPRING, GEAR BOX PIN KZR1
15	40317	1		INGRANAGGIO PORTACRICCHETTI KART 125 2019	GEAR, DRUM SHIFTER KART 125 KZ-R1
16	26060	1		CRICCHETTO CAMBIO SUPERIORE	RATCHET UP, GEAR
17	19041	1		ASTUCCIO A RULLI DHK 35/12	BUSH NEEDLE CAGE DHK 35/12
18	33102	1		ALBERO DESMO KZ-R1 OM19 INTEGRALE	DRUM, GEAR KZ-R1
19	03012	1		CUSCINETTO DESMODROMICO 6001 2RS	BUSH, 6001 2RS GEAR DRUM
20	33099	1		PERNO FORCHETTA ALB.S.KZ8/9/10	AXLE, COUNTERSHAFT
21	33011	1		FORCHETTA ALBERO SECOND.KART	SHIFT FORK COUNTERSHAFT KART
22	33013	1		FORCHETTA ALBERO SECONDARIO 02	SHIFT FORK COUNTERSHAFT 02
23	16100	1		MOLLA BLOCCAMARCE KZ OM19 filo d.2.2	SPRING, STOP GEAR KZR1 2,2 mm
24	26007	1		DISTANZIALE MOLLA BLOCCAMARCE	SPACER, STOP GEAR SPRING
25	49604	1		RONDELLA 6X18	WASHER 6x18
26	49485	1		VITE TCEI 6X25 UNI 5931	BOLT TCEI 6x25
27	33020	1		PERNO FORCHETTA ALBERO PRIM.	AXEL, MAINSHAFT FORK
28	33010	1		FORCHETTA ALBERO PRIMARIO	SHIFT FORK MAINSHAFT



**KZR1
125CC KZ-R1**

**COMANDO CAMBIO
GEARSHIFT MECHANISM**

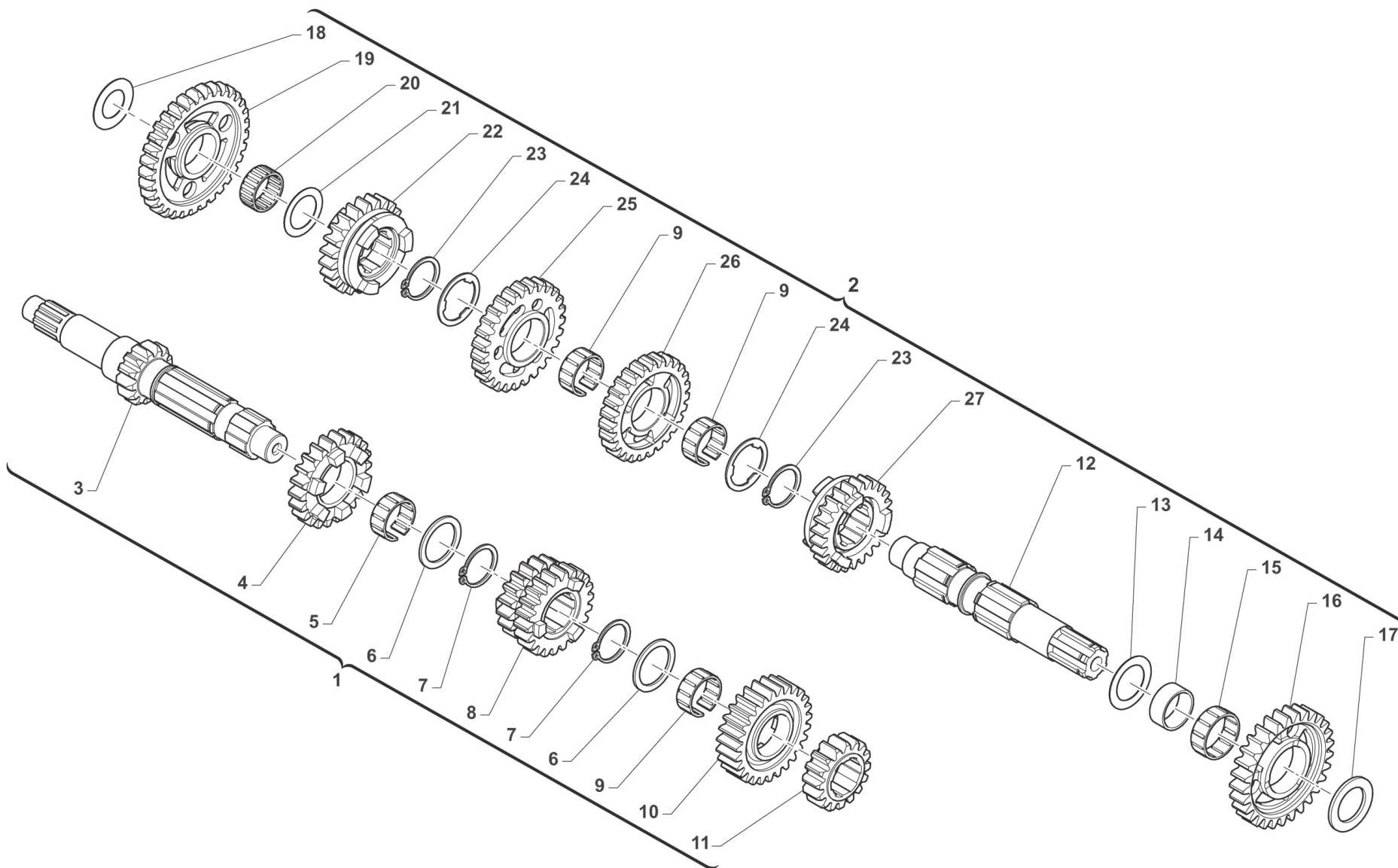
6

Pos.	Codice	Q.tà	Note	Descrizione	Description
29	49118	1		RONDELLA 12X16X1,5 ALLUMINIO	WASHER, 12X16X1,5 ALUMINUM
30	49851.1	1		TAPPO OLIO C/CALAM. KZ10/KZ10B	OIL PLUG WITH MAGNET KZ10
31	04004	1		PARAOLIO POMPA H2O-LEVA CAMBIO	OIL SEAL 12 x 22 x 5
32	49538.1	1		VITE TCEI 6X22 NERA DIN912 12.9	BOLT TCEI 6X22 BLACK
33	49421	1		VITE TSEI 8X25	BOLT TSEI 8X25
34	43005	1		LEVA CAMBIO KART KZ-R1 SPECIALE	GEAR LEVER KART KZ-R1 SPECIAL
35	49640.1	1		DADO M 8 FLANG. 10 TE RAMATO	NUT, COPPER
36	03035	2		CUSCINETTO LEVA CAMBIO KZ R1	BUSH GEAR LEVER KZR1
37	19073	1		ASTUCCIO A RULLI LEVA FRIZ. KZR19 HK 1214 RS	BUSH, CLUTCH LEVER CAGE KZ-R1
39	43013	1		LEVA COMANDO FRIZ. KART KZ OM19 CPL	LEVER, CLUTCH CONTROL KZ OM19
40	49975	1		VITE LEVA FRIZIONE M6x1 L.13.2 KZ OM19	BOLT M6x1, CLUTCH LEVER
41	49974	1		VITE M6 SPECIALE ALB.COM.FRIZ. KZ R1	BOLT M6 KZ-R1
42	28018	1		RACCORDO ACQUA KV K9B K9C INF.	WATER JOINT KV K9B K9C LOWER
43	30241	1		BASAMENTO MOTORE KZ-R1 PREPARATO	CRANKCASE KZ-R1 TUNED
44	49008	2		RACCORDO SFIATO MX/END KART OT Kart/Cross	BREATHER ENGINE MX / KART
45	26170	1		PIASTRINO BLOCCAMARCE KZ R1 OM19 CPL	PLATE, STOP GEAR KZR1 ASSY
46	48047	1		RASAMENTO 12 X 23.8 X 0.5	SPACER, 12x23,8x0,5



KZR1
125CC KZ-R1

CAMBIO
GEAR BOX



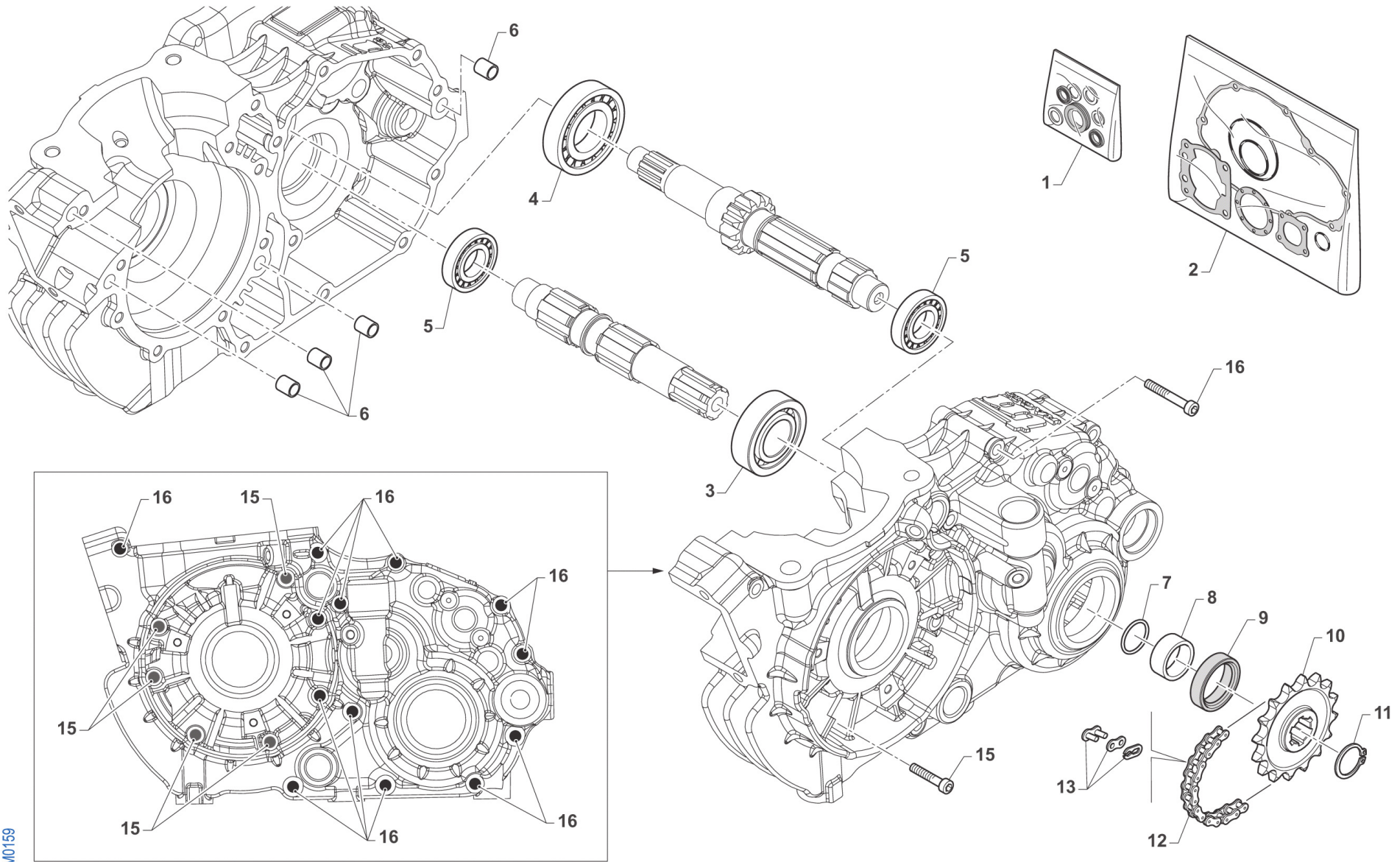
TM0154



**KZR1
125CC KZ-R1**

**CAMBIO
GEAR BOX**

Pos.	Codice	Q.tà	Note	Descrizione	Description
1	40043	1		ALBERO PRIMARIO KZ-R1 CPL	PRIMARY SHAFT KZ-R1 ASSY
2	40044	1		ALBERO SECONDARIO KZ-R1 CPL	COUNTERSHAFT KZ-R1 ASSY
3	40565	1		ALBERO PRIMARIO Z13 KZ-R1 OM19	PRIMARY SHAFT 13T KZ-R1
4	40566	1		INGR A.P. 5a Z 22 KZ R1 OM19	GEAR, 5th (22T) KZ R1 MAINSHAFT OM19
5	F19524	1		GABBIA A RULLI 22X26X10 TAGL.	NEEDLE BEARING 22 X 26 X 10
6	48046	2		RASAMENTO 23.5 X 30 X 1.5	SPACER 23.5 X 30 X 1.5
7	49219	2		SEEGER E23	
8	40567	1		INGR A.P. 3/4a Z18/22 KZ R1 OM19	GEAR, 3/4th (18/22T) MAINSHAFT KZ R1 OM19
9	19070	3		GABBIA A RULLI CAMBIO PLAST. 21x25x10	NEEDLE CAGE GEAR BOX PLASTIC
10	40449	1		INGR A.P. 6a Z 27 KZ R1 OM19	GEAR, 6th (27T) MAINSHAFT KZ R1 OM19
11	40568	1		INGR A.P. 2a Z 16 KZ R1 OM19	GEAR, 2nd (16T) MAINSHAFT KZ R1 OM19
12	40569	1		ALBERO SECONDARIO G.RULLI D21 OM19	COUNTERSHAFT KZ-R1
13	26152	1		SPESS.ALB.SEC.KZ10B 2A VEL. MM 31.50 X 21.25 X 0.50	SPACER, COUNTERSHAFT KZ10B
14	26149	1		BOCCOLA INGRANAGGIO 40486	BUSH FOR GEAR 40486
15	19066	1		GABBIA A RULLI K 24x28x10 KART	NEEDLE CAGE 24X28X10 KART
16	40486	1		INGR A.S. 2a Z 29 G.RULLI D21	GEAR, 2ND (29T) COUNTERSH.D.21
17	48039	1		RASAMENTO A/S MAG 32X21X2	SPACER, COUNTERSHAFT 32X21X2
18	48044	1		RASAMENTO 17 X 30 X 0.5	SPACER 17 X 30 X 0.5
19	40570	1		INGR A.S. 1a Z 33 KART OM19	GEAR, 1ST (33T) COUNTERSHAFT
20	19012	1		GABBIA A RULLI K 20X24X10	BUSH NEEDLE CAGE 20 X 24 X 10
21	48045	1		RASAMENTO 20 X 29 X 0.5	SPACER 20 X 29 X 0.5
22	40515	1		INGR A.S. 5a SCANALATO z 23	GEAR, 5TH (23T) COUNTERSHAFT
23	49221	2		SEEGER E25 A/S KZ10-B/C KZ-R1	SEEGER E21
24	48251	2		SPESSORE DENT.CAMBIO 250/KZ10B	SPACER, GEAR 250cc
25	40495	1		INGR A.S. 3a Z27 GABBIA RULLI	GEAR, 3RD (Z27) COUNTERSHAFT
26	40571	1		INGR A.S. 4a Z 27 KZ10C G.RULL OM19	GEAR, 4TH (27T) COUNTERSHAFT
27	40536	1		INGR A.S. 6a SCANALATO D. 25	GEAR, 6TH (25T) COUNTERSHAFT



TM0159



**KZR1
125CC KZ-R1**

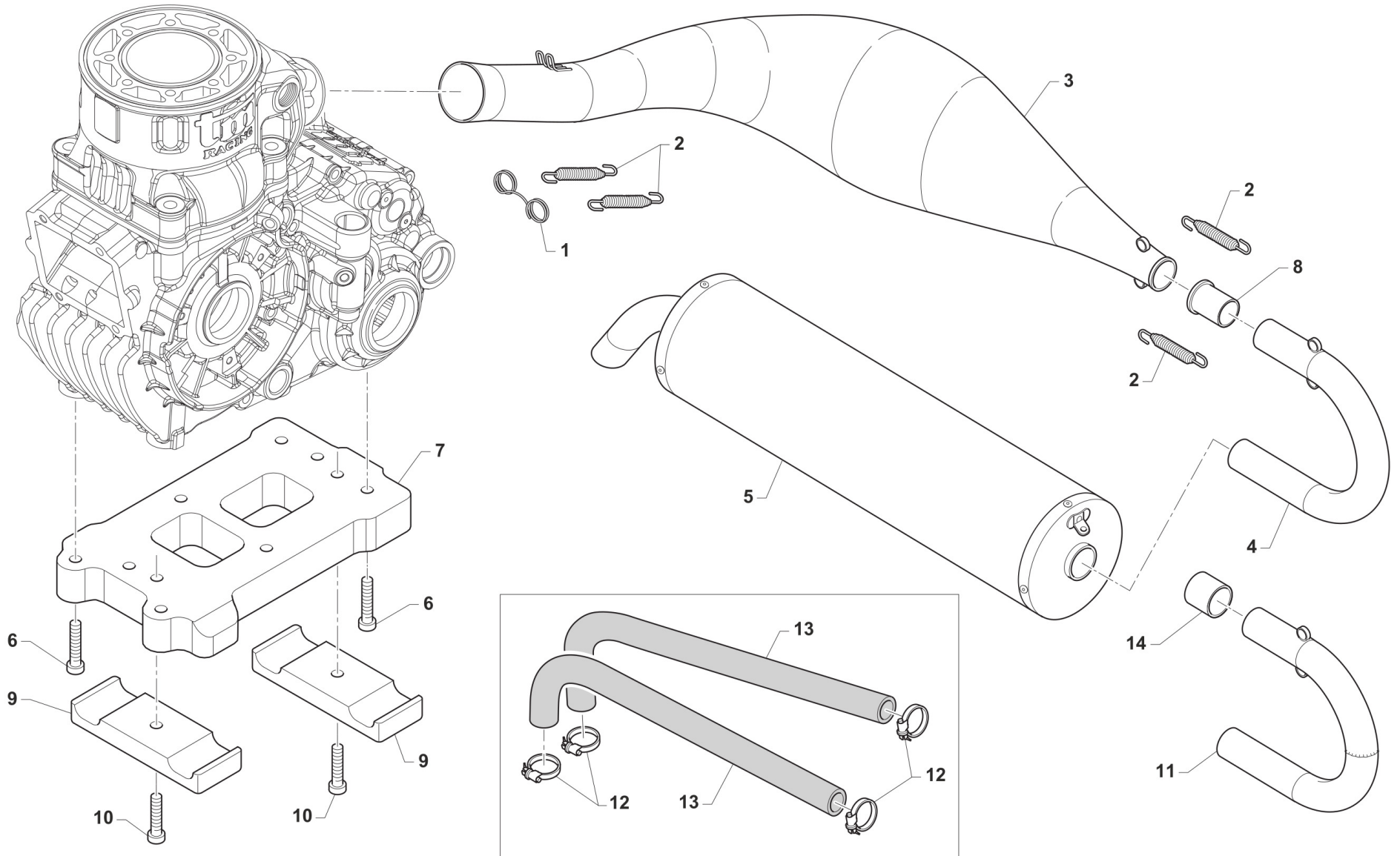
**CUSCINETTI CAMBIO E PIGNONE
BEARINGS AND SPROCKET**

Pos.	Codice	Q.tà	Note	Descrizione	Description
1	04028	1		KIT PARAOLIO K9/K9B/K9C/KZ10	OIL SEAL KIT, K9/K9B/C/KZ10/B
2	05625	1		KIT GUARNIZIONI + OR MOTORE KZ - R1	GASKETS KIT + OR ENGINE KZ-R1
3	03033	1		CUSCINETTO RULLI PIGNONE CAT.K ALB.21mm	BUSH AXE D.21 CHAIN SPROCKET
4	03252	1		CUSCINETTO 6205 C4 A/P 250/K9	BUSH, MAINSHAFT 250 / KZ
5	03034	2		CUSCINETTO 6203 Z C3 KZ R1	BUSH 62 03 ZC3 KZR1
6	26091	4		RULLO CENTRAGGIO MOTORE 8X12	CRANKCASE PIN 8X12
7	12019	1		O RING PIGNONE CATENA	O-RING, DRIVE GEAR 2075
8	26150	1		DISTANZIALE PIGNONE KZ 10B/C R1 MAGG.	SPACER, FRONT SPROCKET KZ10B +
9	04003	1		PARAOLIO PIGN.CATENA (26x37x7)	OIL SEAL 26 x 37 x 7
10	40015	1		PIGNONE Z 15 PASSO 1/2X5/16	SPROCKET 15T, DRIVE 1/2X5/16
10	40016	1		PIGNONE Z 16 PASSO 1/2X5/16	SPROCKET 16T, DRIVE 1/2X5/16
10	40017	1		PIGNONE Z 17 PASSO 1/2X5/16	SPROCKET 17T, DRIVE 1/2X5/16
10	40018	1		PIGNONE Z 18 PASSO 1/2X5/16	SPROCKET 18T, DRIVE 1/2X5/16
10	40019	1		PIGNONE Z 19 PASSO 1/2X5/16	SPROCKET 19T, DRIVE 1/2X5/16
10	40020	1		PIGNONE Z 20 PASSO 1/2X5/16	SPROCKET 20T, DRIVE 1/2X5/16
10	40021	1		PIGNONE Z 21 PASSO 1/2X5/16	SPROCKET 21T, DRIVE 1/2X5/16
11	49216	1		SEEGER E20 PIGN.-CAMBIO-COPPIA	CIRCLIP D.20 - EXTERNAL
12	70099	1		CATENA KART 126RH x 58 MAGLIE	CHAIN, KART 126 RH x 58
13	70097	1		GIUNTO CATENA 126 HK KART	CHAIN, JOINT 126 RH
15	49489	5		VITE TCEI 6X45 UNI 5931	BOLT TCEI 6x45
16	49491	13		VITE TCEI 6X55	BOLT TCEI 6X55



KZR1
125CC KZ-R1

SCARICO
EXHAUST SYSTEM



TM0162



**KZR1
125CC KZ-R1**

**SCARICO
EXHAUST SYSTEM**

9

Pos.	Codice	Q.tà	Note	Descrizione	Description
1	16096	1		MOLLA SUPPLEMENTARE SCARICO	SPRING EXT. EXHAUST KZ10
2	16003	4		MOLLA TR.SCARICO BICONICA 125	SPRING, EXHAUST 125cc
3	27190	1		MARMITTA KART 125 KZ - R1	EXHAUST PIPE KART 125 KZ-R1
4	27027.2	1		TUBO FINALINO MARMIT.OM 28X1.5	END PIPE, EXHAUST 28 X 1,5
5	27070.39	1		SILENZ. KART 039-SE-24 TD/3	SILENCER KART 039-SE-24 TD/3
6	49501	6		VITE TCEI 8X25 UNI 5931	BOLT TCEI 8X25
7	50245	1		SUPPORTO MOTORE KZ-R1 NUDO	MOTOR MOUNT KZ-R1
7	50245.1	1	BLACK	SUPPORTO MOTORE KZ-R1 NUDO BLACK	MOTOR MOUNT KZ-R1 BLACK
7	50245.2	1	TITAN	SUPPORTO MOTORE KZ-R1 NUDO TITAN	MOTOR MOUNT KZ-R1 TITAN
8	26121	1		BOCCOLA CURVA SCAR. KZ10 21.0	BUSH EXHAUST END KZ10 21.0
9	50014	2		SOTTOSTAFFA SUPPORTO MOTORE	HOLDER, MOTOR MOUNT
10	49520	2		VITE TCEI 10X40	BOLT TCEI 10X40
11	27023	1		TUBO FINALINO MARMITTA D.26/28	END PIPE, EXHAUST D.26/28
12	51070	4		FASCETTA 17/29 VELOBLOC 3B	CLAMP 17/29 VELOVLOC 3B
13	21020	2		MANICOTTO ACQUA LUNGO 90	HOSE, RUBBER 90cms
14	27022.2	1		BOCCOLA 28 ADATT.MARMITTA N.O.	BUSHING, U BAND D. 26/28